



BIO-HAZ VAC

Specifically Designed for the Remediation of Hazardous Molds Through Five (5) Filter Media:

- € **Stachybotrys Colonies**
- € **Aspergillus Spores**
- € **Penicillium Spores**

U.L.P.A. (Ultra Low Particulate Air) Filter Provides 99.999% Efficiency at 0.12 Microns!

In addition to mold remediation, the Bio-Haz Vac is ideally suited for the removal and containment of "Anthrax" dust and viral particulate collection. The Bio-Haz Vac is designed for dry-only pick up (particulate matter only - not vapor!)

Units include: Filters, complete pre-filter package and tool kit 1-1/2". Units are shipped ready-to-use ... just plug in and turn on!

SIZE	PART#
6 Gallon (1.25 H.P., 2-Stage, 95 CFM, 85' waterlift)	C82907-02
15 Gallon (2 H.P., 2-Stage, 110 CFM, 105' waterlift)	C82917-02

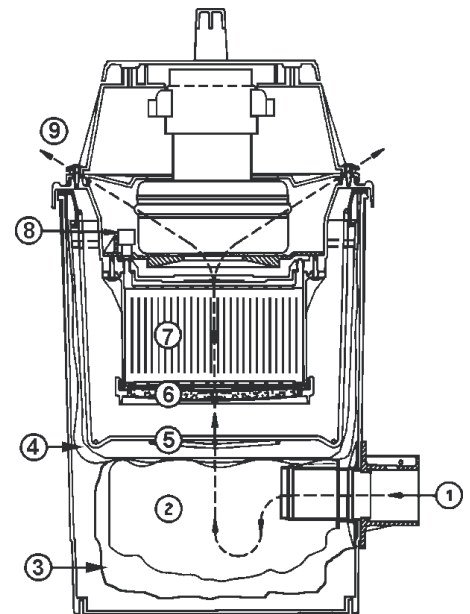
Replacement bags and filters:

For use with C82907-02

110121PKG	Impact Filters (12/pk)
384003PKG	4/6G Paper bag (10/pk)
761177PKG	Disp. filter protectors (10/pk)
800056	Cloth filter assembly w/frame, 6 gal.
800206PKG	Bio Haz encapsulation bags (10/pk)

For use with C82917-02

110121PKG	Impact Filters (12/pk)
760598PKG	Disposable Paper Filters (10/pk)
805038PKG	Disp. filter protectors (10/pk)
805057	Cloth filter assembly w/frame, 15 gal.
800200PKG	Bio Haz encapsulation bags (10/pk)



- 1) Intake
- 2) Disposable Paper Collector Bag
- 3) Bio Hazard Plastic Bag
- 4) Disposable Paper Filter Protector
- 5) Cloth Filter w/Frame
- 6) Disposable Impact Filter
- 7) U.L.P.A. Filter
- 8) Safety Interlock
- 9) Exhaust

318 Hill Ave.
Nashville, TN 37210
(615) 254-0841
Fax: (615) 726-2514



171 Grayson Road
Rock Hill, SC 29732
(803) 366-5131
Fax: (803) 366-2005

